

BPM metal / stainless steel blank plates

for screw assembly / IP66



Blank plates to close cut-outs for standard multi-pin industrial connectors and numerous icotek cable entry components.

Blank plates are supplied with a gasket.

IP54

IP55

IP64

IP65

IP66

RoHS
compliant



Made in
Germany

Specifications

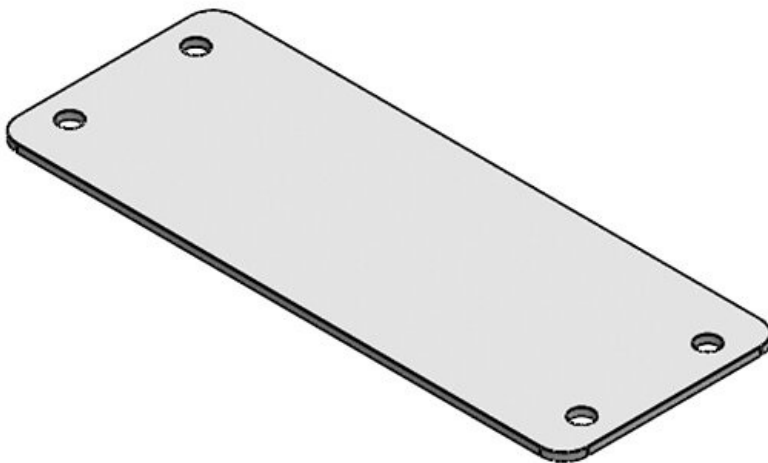
IP rating (EN 60529)	IP54, IP55, IP64, IP65, IP66
Material	Mild steel, galvanically zinc plated Stainless steel (V2A)
Flame class	UL94-V0, self-extinguishing
Properties	anti-corrosive (V2A versions)
Mounting options	Screw type mounting

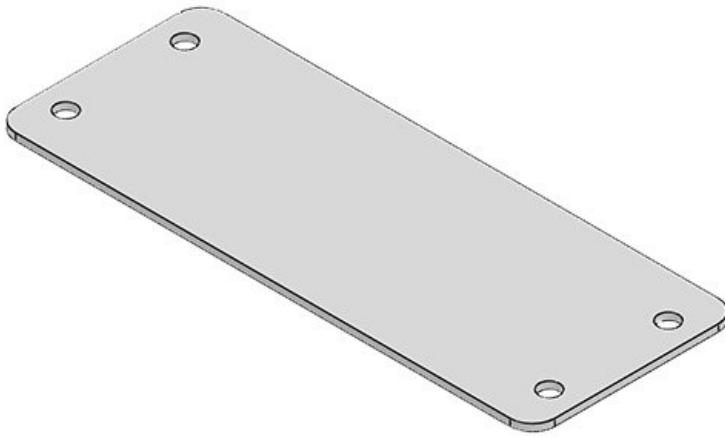
Advantages & benefits

Product types & sizes

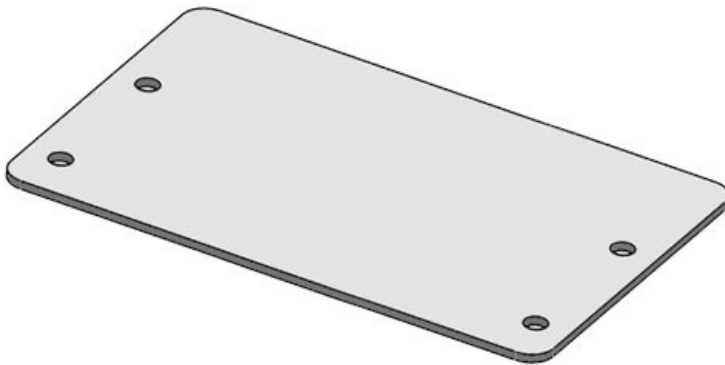
BPM 24

Part No.	42027	No. of screw	4
EAN	4251269307	holes	
	553	Diam. of screw	5,5 mm
Package quantity	10	holes	
Length	145 mm		
Width	56 mm		
Height	2 mm		
Cut-out size	112 × 36 mm		

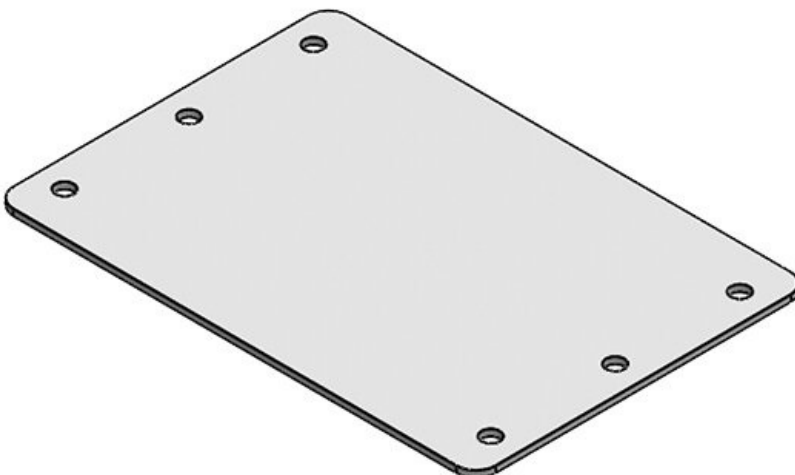


BPM 24 V2A

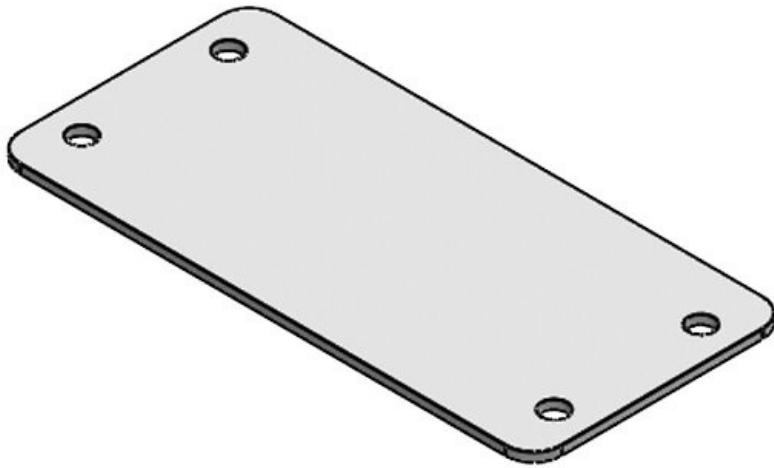
Part No.	41995	No. of screw	4
EAN	4251269307	holes	
	355	Diam. of screw	5,5 mm
Package quantity	10	holes	
Length	145 mm		
Width	56 mm		
Height	2 mm		
Cut-out size	112 x 36 mm		

BPM 24-E

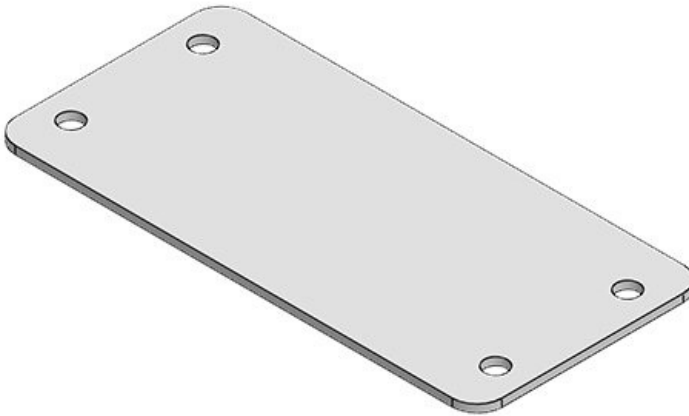
Part No.	42029	Diam. of screw	5,5 mm
EAN	4251269307	holes	
	577		
Package quantity	1		
Length	143 mm		
Width	83 mm		
Height	2 mm		
No. of screw holes	4		

BPM 24-MT

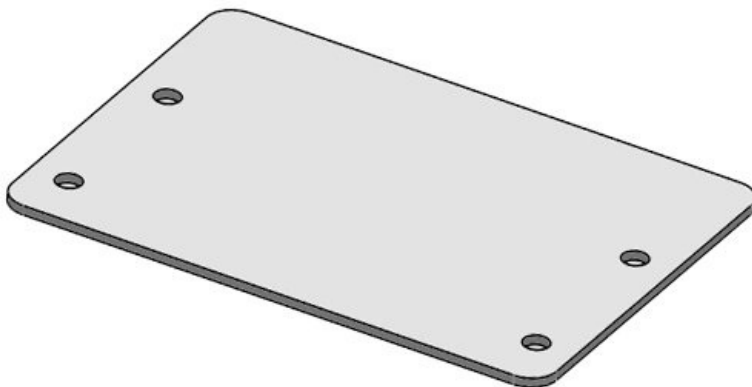
Part No.	42028	Diam. of screw	5,5 mm
EAN	4251269307	holes	
	560		
Package quantity	1		
Length	147 mm		
Width	102 mm		
Height	2 mm		
No. of screw holes	6		

BPM 16

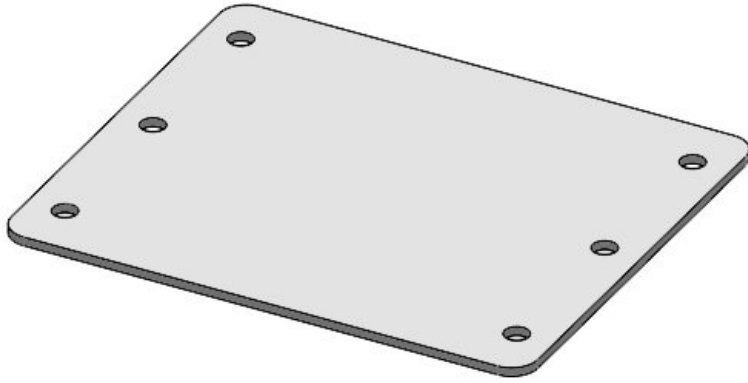
Part No.	42025	No. of screw	4
EAN	4251269307	holes	
	539	Diam. of screw	5,5 mm
Package quantity	10	holes	
Length	118 mm		
Width	56 mm		
Height	2 mm		
Cut-out size	86 x 36 mm		

BPM 16 V2A

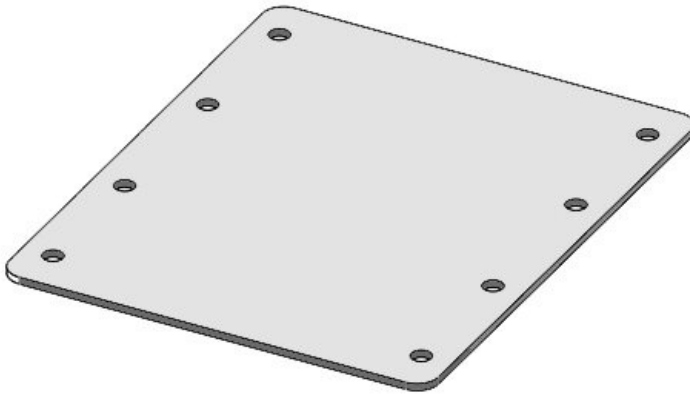
Part No.	41994	No. of screw	4
EAN	4251269307	holes	
	348	Diam. of screw	5,5 mm
Package quantity	10	holes	
Length	118 mm		
Width	56 mm		
Height	2 mm		
Cut-out size	86 x 36 mm		

BPM 16-E

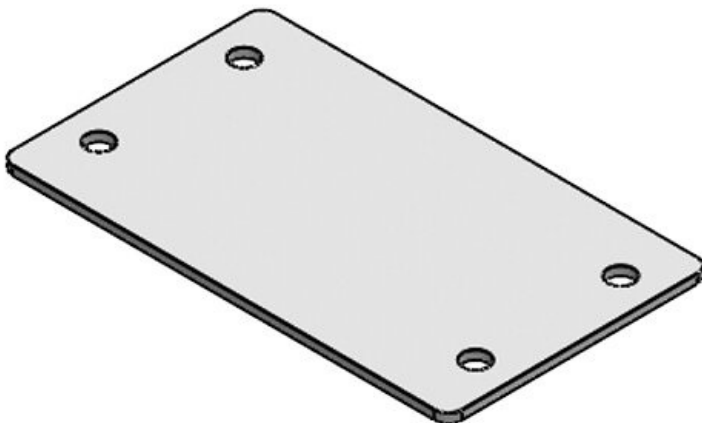
Part No.	42023	Diam. of screw	5,5 mm
EAN	4251269307	holes	
	508		
Package quantity	1		
Length	120 mm		
Width	87 mm		
Height	2 mm		
No. of screw holes	4		

BPM 16-MT

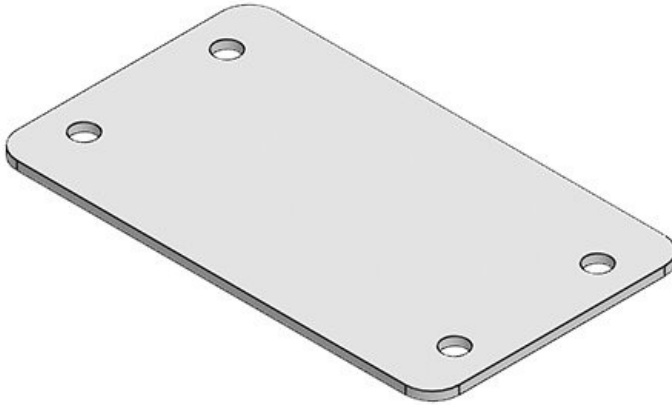
Part No.	42026	Diam. of screw 5,5 mm
EAN	4251269307	holes
	546	
Package quantity	1	
Length	120 mm	
Width	102 mm	
Height	2 mm	
No. of screw holes	6	

BPM 16-2MT

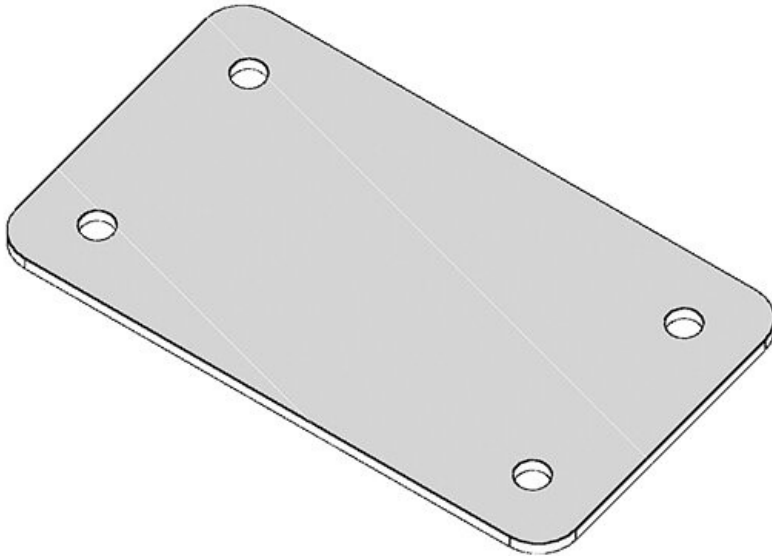
Part No.	42031	Diam. of screw 5,5 mm
EAN	4251269307	holes
	591	
Package quantity	1	
Length	120 mm	
Width	146 mm	
Height	2 mm	
No. of screw holes	8	

BPM 10

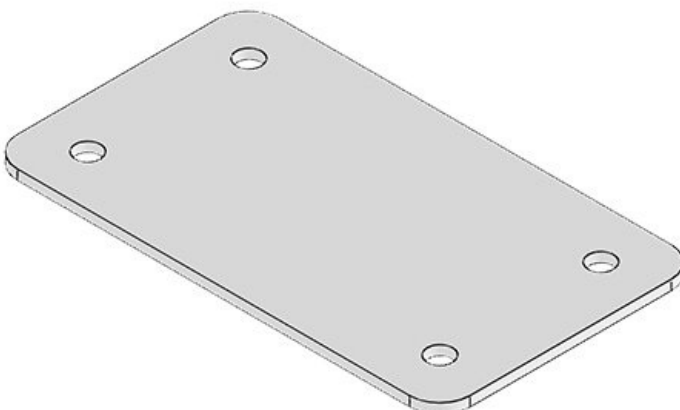
Part No.	42014	No. of screw 4
EAN	4251269307	holes
	447	Diam. of screw 5,5 mm
Package quantity	10	holes
Length	99 mm	
Width	58 mm	
Height	2 mm	
Cut-out size	65 x 36 mm	

BPM 10 V2A

Part No.	41992	No. of screw	4
EAN	4251269307	holes	
	331	Diam. of screw	5,5 mm
Package quantity	10	holes	
Length	99 mm		
Width	58 mm		
Height	2 mm		
Cut-out size	65 × 36 mm		

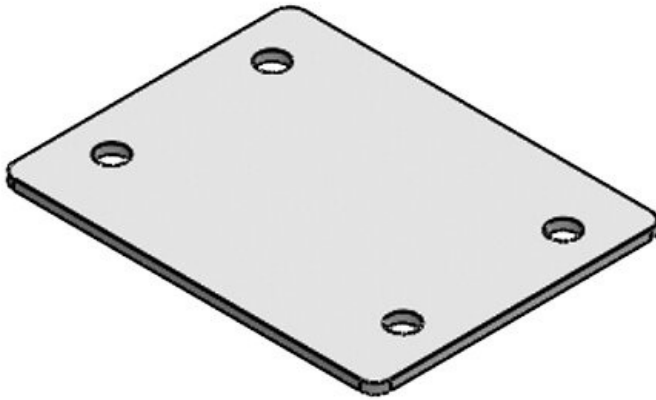
BPM 6

Part No.	42011	No. of screw	4
EAN	4251269307	holes	
	416	Diam. of screw	5 mm
Package quantity	10	holes	
Length	90 mm		
Width	52 mm		
Height	2 mm		
Cut-out size	52 × 36 mm		

BPM 6 V2A

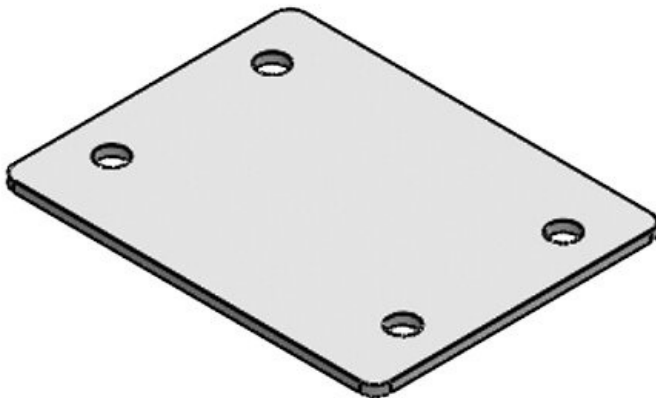
Part No.	41991	No. of screw	4
EAN	4251269307	holes	
	324	Diam. of screw	5 mm
Package quantity	10	holes	
Length	90 mm		
Width	52 mm		
Height	2 mm		
Cut-out size	52 × 36 mm		

BPM-B



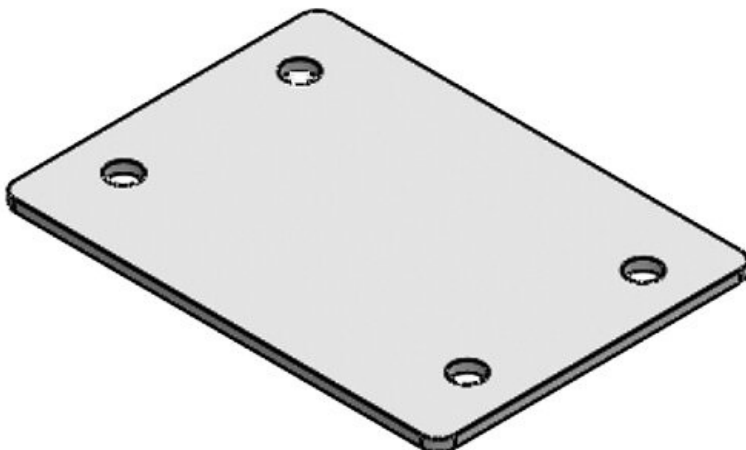
Part No.	42013	No. of screw	4
EAN	4251269307	holes	
	430	Diam. of screw	5,5 mm
Package quantity	10	holes	
Length	75 mm		
Width	58 mm		
Height	2 mm		
Cut-out size	46 x 46 mm		

BPM-B V2A



Part No.	41996	No. of screw	4
EAN	4251269325	holes	
	380	Diam. of screw	5,5 mm
Package quantity	10	holes	
Length	75 mm		
Width	58 mm		
Height	2 mm		
Cut-out size	46 x 46 mm		

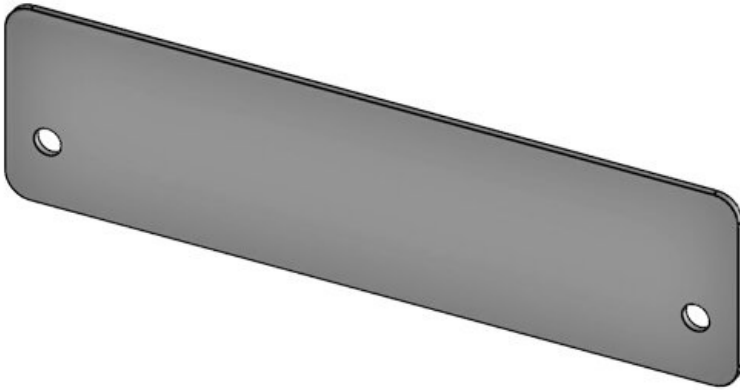
BPM-FG-B



Part No.	42012	Diam. of screw	5,5 mm
EAN	4251269307	holes	
	423		
Package quantity	10		
Length	80 mm		
Width	58 mm		
Height	2 mm		
No. of screw holes	4		

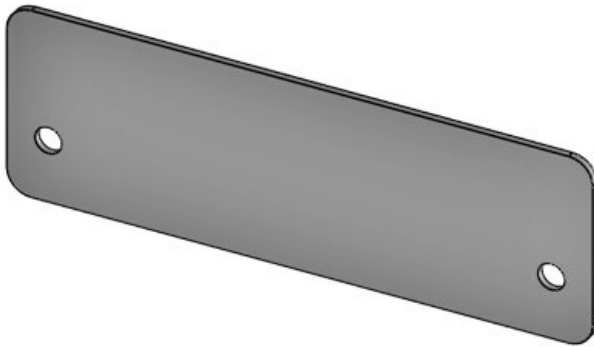
BPM-E5

Part No. **42051** No. of screw **2**
EAN **4251269318** holes
290 Diam. of screw **5,5 mm**
Package **10** holes
quantity
Length **147 mm**
Width **39,5 mm**
Height **2 mm**
Cut-out size **112 × 24 mm**



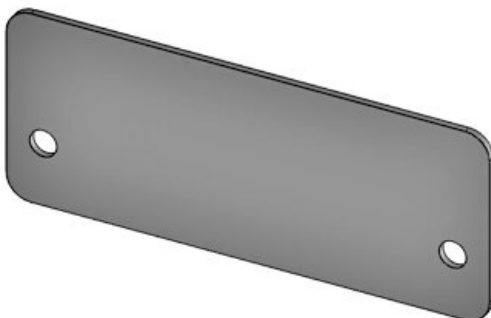
BPM-E4

Part No. **42050** No. of screw **2**
EAN **4251269318** holes
283 Diam. of screw **5,5 mm**
Package **10** holes
quantity
Length **120 mm**
Width **39,5 mm**
Height **2 mm**
Cut-out size **86 × 24 mm**

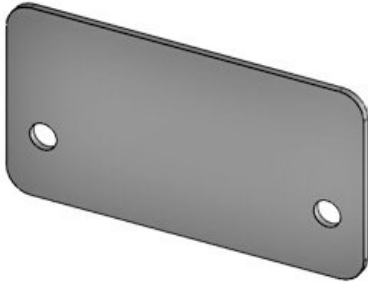


BPM-E3

Part No. **42049** No. of screw **2**
EAN **4251269318** holes
276 Diam. of screw **5,5 mm**
Package **10** holes
quantity
Length **98 mm**
Width **39,5 mm**
Height **2 mm**
Cut-out size **65 × 24 mm**

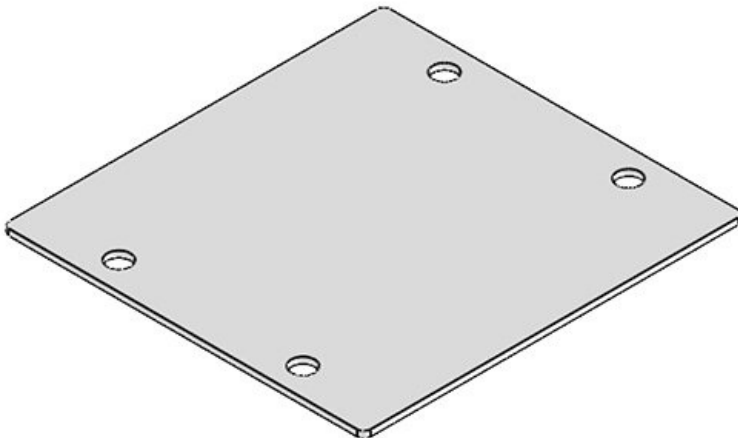


BPM-E2



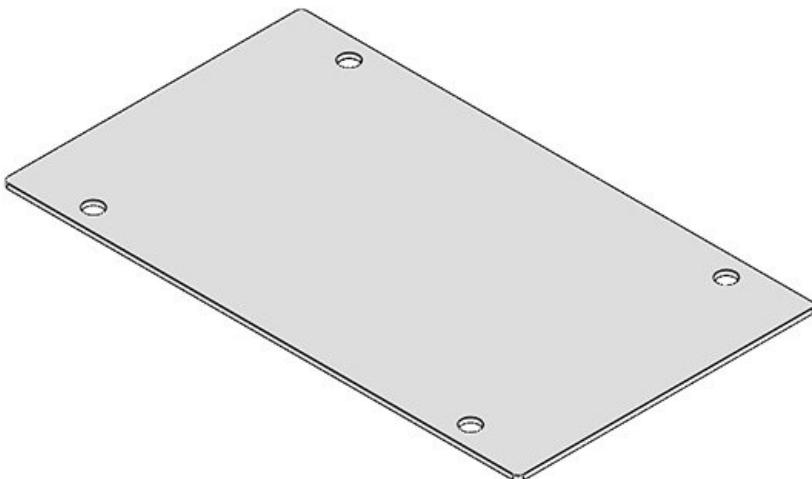
Part No.	42048	No. of screw	2
EAN	4251269318	holes	
	269	Diam. of screw	5,5 mm
Package quantity	10	holes	
Length	73 mm		
Width	39,5 mm		
Height	2 mm		
Cut-out size	43 x 24 mm		

BPM-JUMBO 1



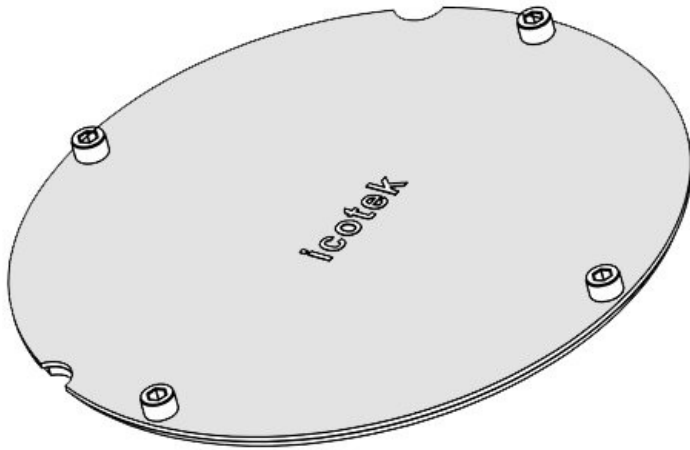
Part No.	42030	Diam. of screw	7 mm
EAN	4251269307	holes	
	584		
Package quantity	1		
Length	116 mm		
Width	110 mm		
Height	2 mm		
No. of screw holes	4		

BPM-JUMBO 2



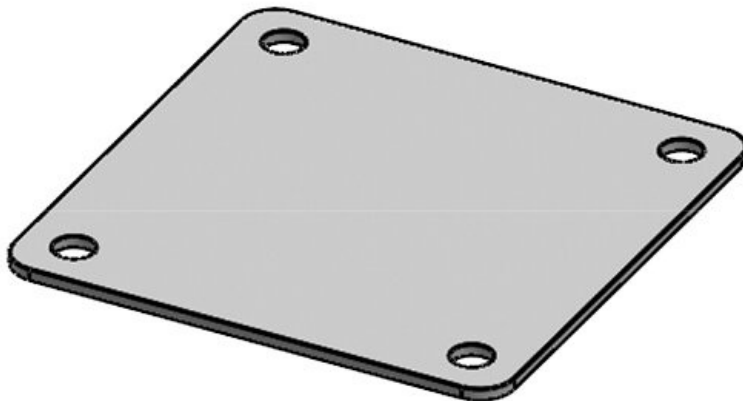
Part No.	42032	Diam. of screw	7 mm
EAN	4251269307	holes	
	607		
Package quantity	1		
Length	200 mm		
Width	116 mm		
Height	2 mm		
No. of screw holes	4		

BPM-ULTRA flex



Part No.	42633	No. of screw	8
EAN	4251269309	holes	
	076	Diam. of screw	5 mm
Package	1	holes	
quantity		For max. wall	1,5 mm
Height	1 mm	thickness	
Cut-out size,	168 mm		
round			

BPM JUMBO flex



Part No.	42033	Diam. of screw	7 mm
EAN	4251269307	holes	
	614		
Package	1		
quantity			
Length	88 mm		
Width	88 mm		
Height	2 mm		
No. of screw	4		
holes			